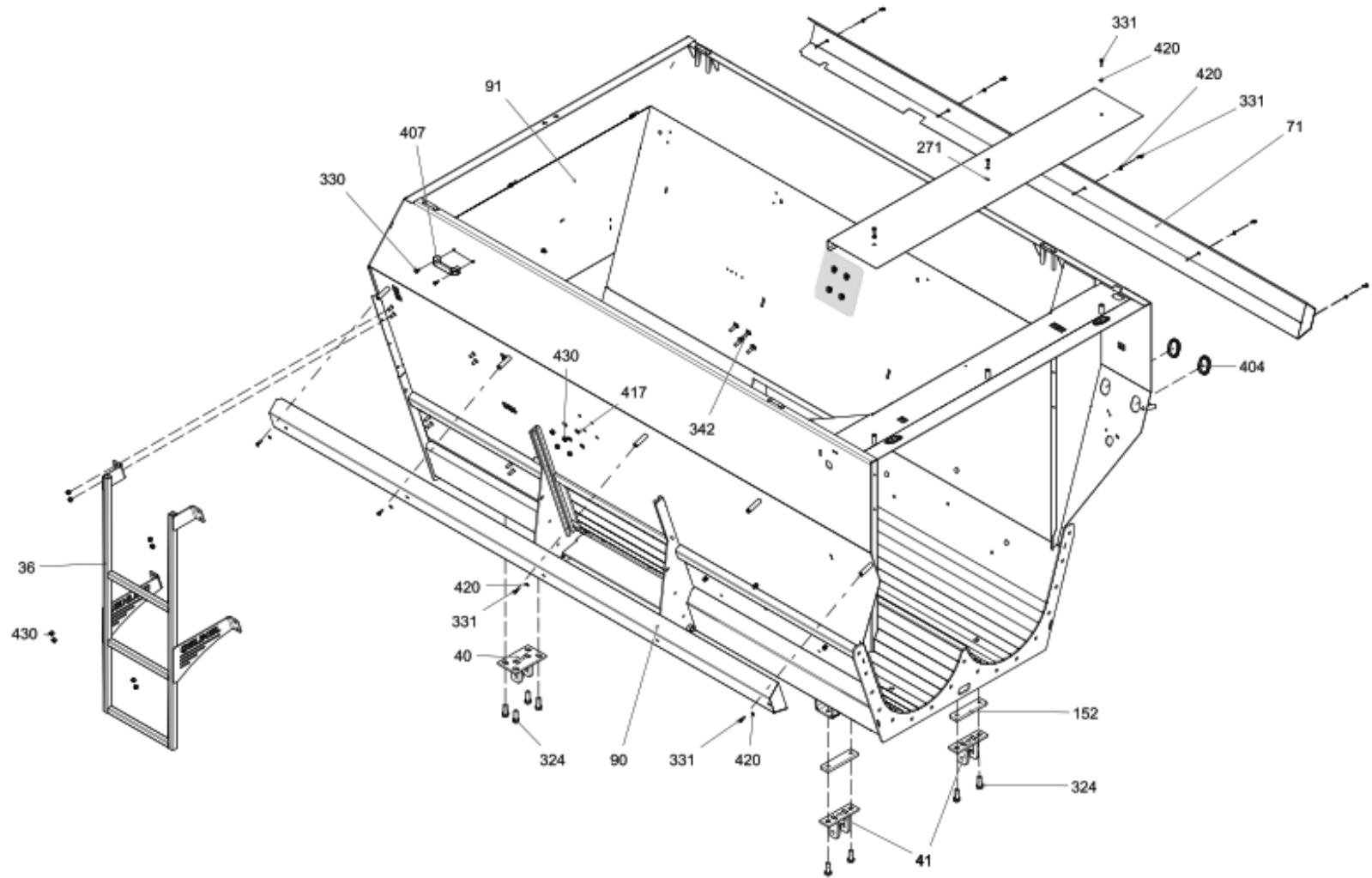




BRASSUS	8 m ³	
	LOW CHASSIS	HIGH CHASSIS
CHASSIS TYPE		
LENGTH-A (MM)	5060	5060
HEIGHT-B (MM)	2350	2490
WIDTH-C (MM)	2135	2025
WHEEL TRAIL WIDTH-D (MM)	1806	1671
CONVEYOR CLOSED WIDTH -E (MM)	2585	2530
CONVEYOR OPEN WIDTH -F (MM)	2115	2100
CAPACITY (NET VOLUME)	8 M ³	
EMPTY WEIGHT	3550 KG	
MAXIMUM LOADED WEIGHT	5950 KG	
POWER REQUIREMENT (PTO)	70HP	
PTO SPEED	540 RPM	
WHEEL SIZES	12.5/80-15.3	
THE QUANTITY OF KNIVES	88 PCS	
THE QUANTITY OF LOAD CELLS	3 PCS	
WEIGHT SYSTEM	OPTIONAL	
HIGH LEVEL CHASSIS SYSTEM	STANDARD	
LOW LEVEL CHASSIS SYSTEM	OPTIONAL	
FEED DISCHARGE RIGHT SIDE	STANDARD	
FEED DISCHARGE LEFT SIDE	OPTIONAL	
FEED DISCHARGE WINDOW	STANDARD	
RIGHT FEED DISCHARGE CONVEYOR	OPTIONAL	
LEFT FEED DISCHARGE CONVEYOR	OPTIONAL	
MECHANICAL LIFTING	STANDARD	
HYDRAULIC LIFTING	OPTIONAL	
LADDER	STANDARD	
SLIDING HYDRAULIC CONTROL SYSTEM	STANDARD	
WIRED HYDRAULIC CONTROL SYSTEM	OPTIONAL	
BAGGING KIT	OPTIONAL	
BACK COVER	STANDARD	
BACK LOADING BUCKET	OPTIONAL	
TRANSMISSION PTO DOUBLE OUTLET	STANDARD	
TRANSMISSION + BLACKBOX PTO DOUBLE OUTLET	OPTIONAL	

HORIZONTAL FEED MIXER

SPARE PART CATALOG

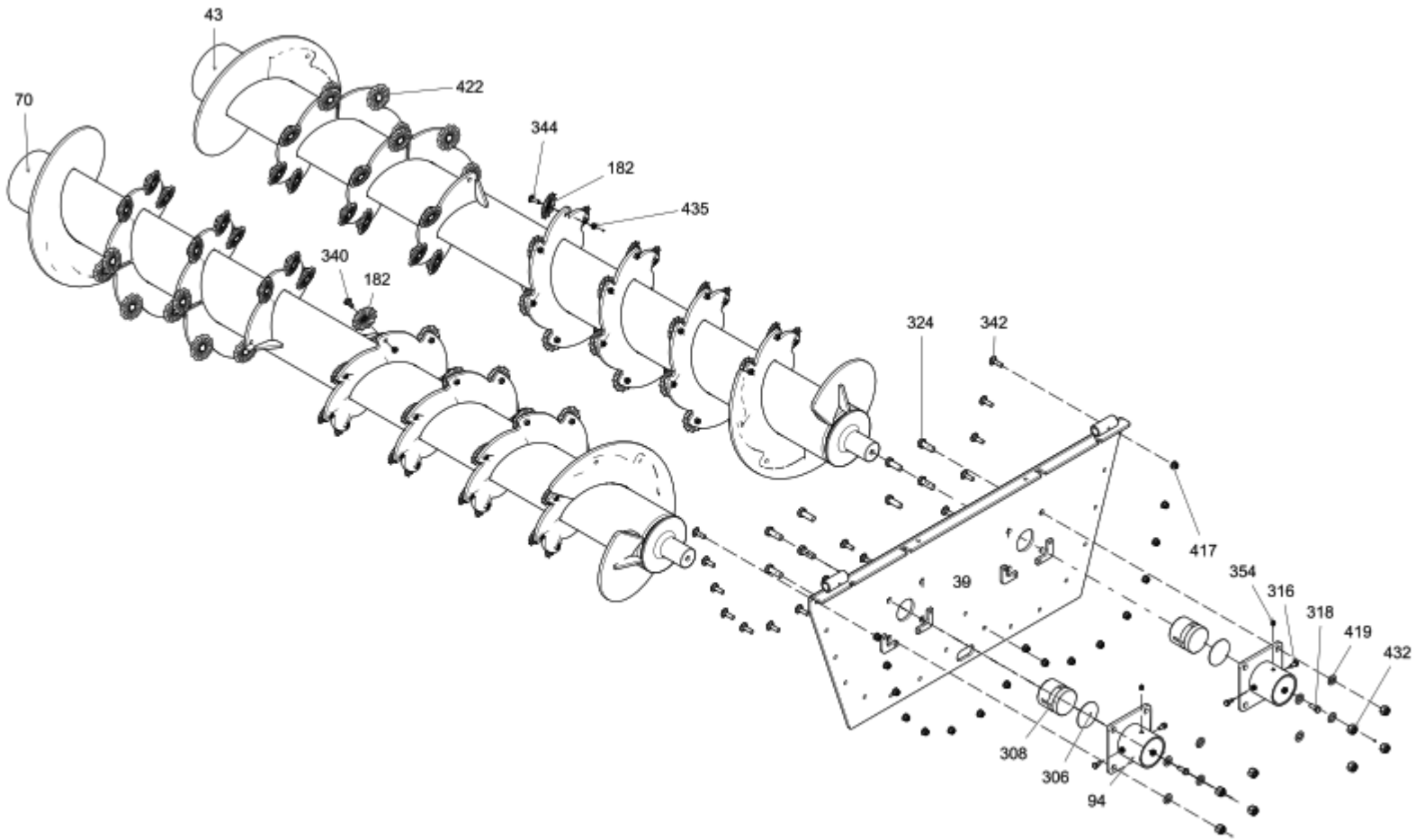


HORIZONTAL FEED MIXER SPARE PART CATALOG

WAGON GROUP

ID	STOCK CODE	DESCRIPTION	QTY
36	CL57057-002	LADDER GROUP	1
40	CL57075-002	LOADCELL CONNECTION ON GROUP	1
41	CL57079-002	LOADCELL REAR CONNECTION SUB GROUP	2
71	CL57329-001	RIGHT SIDE BELT GROUP	1
90	CL57377-001	LEFT SIDE BELT GROUP	1
91	CL57378-005	BOILER GROUP	1
152	CL57042-002	REAR LOADCEL ASSEMBLY CONNECTION NUT	2
271	CL57306-001	TOP PIPE AND HOSE HIDING SHEET	1
324	CVT02-M18X50-01	HEXAGON HEAD FULL THREADED 8.8 QUALITY GALVANIZED BOLT	8
330	CVT02-M8X20-01	HEXAGON HEAD FULL THREADED 8.8 QUALITY GALVANIZED BOLT	2
331	CVT02-M8X25-01	HEXAGON HEAD FULL THREADED 8.8 QUALITY GALVANIZED BOLT	13
342	CVT07-M12X40-01	ROUND HEAD FULL THREADED 8.8 QUALITY GALVANIZED BOLT	12
404	KAP01-019	HYDRAULIC HOSE PROTECTION RUBBER	4
407	KULP01-M8-130	HAND HOLDING NO 2 TYPE 130MM	1
417	PUL01-M12-01	ISO 7089-M12 GALVANIZED WASHER	8
420	PUL01-M8-01	ISO 7089-M8 GALVANIZED WASHER	17
430	SMN06-M12-01	HEXAGON 8.8 QUALITY FIBER GALVANIZED NUT	16

HORIZONTAL FEED MIXER SPARE PART CATALOG

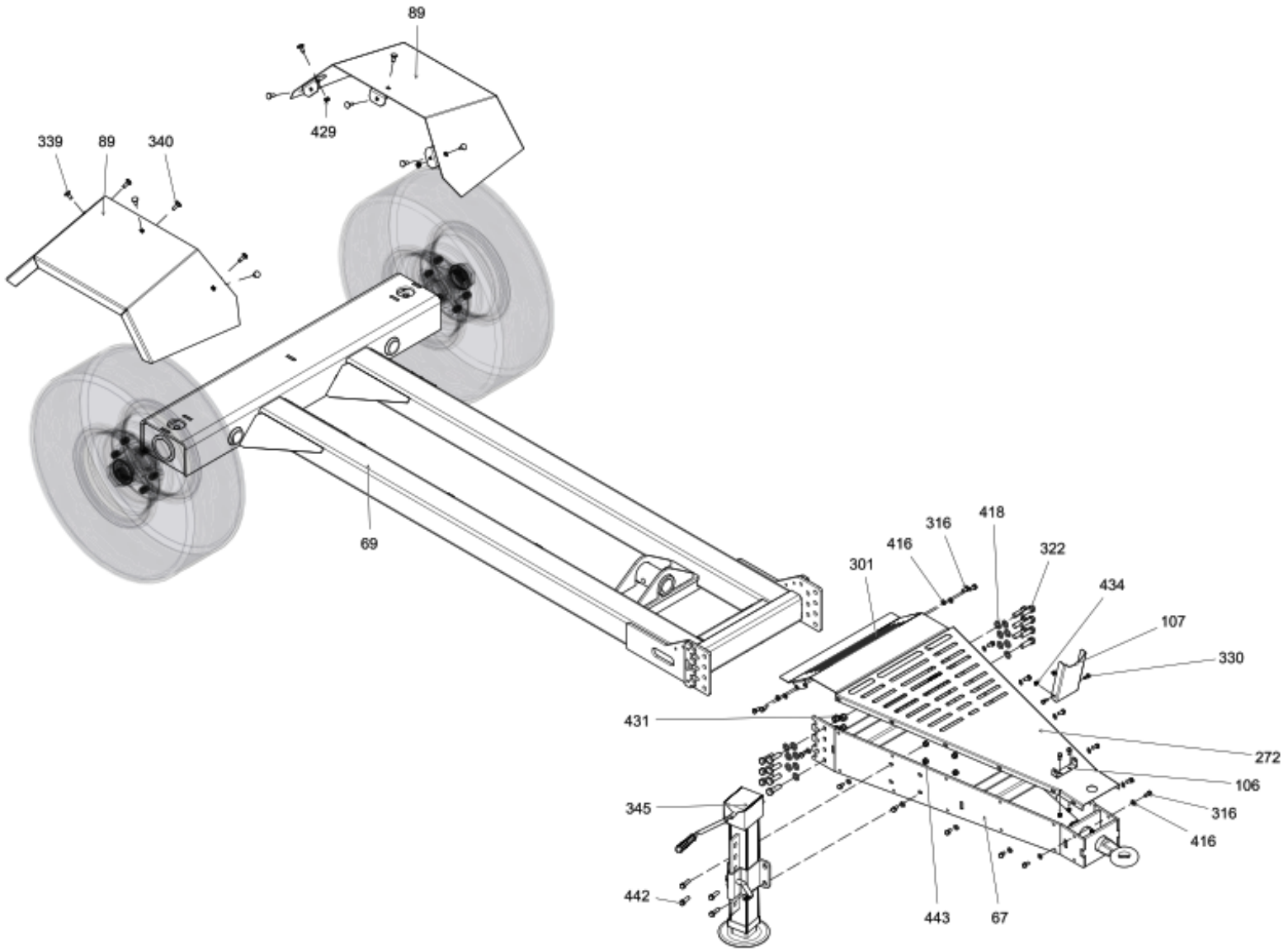


AUGERS AND BACK SIDE COVER GROUP

ID	STOCK CODE	DESCRIPTION	QTY
39	CL57071-001	WAGON BACK COVER GROUP	1
43	CL57098-002	RIGHT SIDE AUGER	1
70	CL57328-002	LEFT SIDE AUGER	1
94	CL59117-001	8-10-12-14M3-YYK HELICAL REAR BEARING WELDING GROUP	2
182	CL57088-001	STAR KNIFE	88
306	CL59112-001	8-10-12-14m3 YYK AUGER'S REAR BEARING THRUST SHEET	2
308	CL59114-002	8-10-12-14m3 YYK AUGER'S REAR BEARING	2
316	CVT02-M10X20-01	HEXAGON HEAD FULL THREADED 8.8 QUALITY GALVANIZED BOLT4	
318	CVT02-M12X30-01	HEXAGON HEAD FULL THREADED 8.8 QUALITY GALVANIZED BOLT	2
324	CVT02-M18X50-01	HEXAGON HEAD FULL THREADED 8.8 QUALITY GALVANIZED BOLT	8
340	CVT07-M10X30-01	ROUND HEAD FULL THREADED 8.8 QUALITY GALVANIZED BOLT	44
342	CVT07-M12X40-01	ROUND HEAD FULL THREADED 8.8 QUALITY GALVANIZED BOLT	17
344	CVT20-M10X30-01	ROUND HEAD FULL THREADED 8.8 QUALITY GALVANIZED BOLT	44
354	GRE01-M10X1.5-DÜZ	GREASER FLAT	2
417	PUL01-M12-01	GALVANIZED WASHER	17
419	PUL01-M18-01	GALVANIZED WASHER	8
422	SMN01-M10-01	HEXAGON 8.8 QUALITY GALVANIZED NUT	44
432	SMN06-M18-01	GALVANIZED FIBER NUT	8
435	SMN13-M10-01	HEXAGON GALVANIZED NUT	44

HORIZONTAL FEED MIXER

SPARE PART CATALOG



CHASSIS GROUP

ID	STOCK CODE	DESCRIPTION	QTY
67	CL57324-001	HOOK GROUP	1
69	CL57327-004	CHASSIS WELDING ASSEMBLY	1
89	CL57375-001	TIRE COVER GROUP	2
106	CL49263-001	SHAFT HOLDER BOTTOM SHEET	1
107	CL49264-001	SAFT HOLDER TOP SHEET	1
272	CL57307-001	HIGH LEVEL CHASSIS HOOK GROUP TOP SHEET	1
301	CL58592-002	5-6m3 YYK HOOK'S BACK COVER SHEET	1
316	CVT02-M10X20-01	BOLT	16
322	CVT02-M16X50-01	BOLT	14
330	CVT02-M8X20-01	BOLT	4
339	CVT07-M10X25-01	BOLT	6
340	CVT07-M10X30-01	BOLT	6
345	KRK01-122320-12T	ADJUSTABLE JACK 5-TON SIP CODE-122320	1
416	PUL01-M10-01	GALVANIZED WASHER	16
418	PUL01-M16-01	GALVANIZED WASHER	14
429	SMN06-M10-01	NUT	12
431	SMN06-M16-01	NUT	14
434	SMN06-M8-01	NUT	4
442	CVT02-M12X40-01	BOLT	4
443	SMN06-M12-01	NUT	4

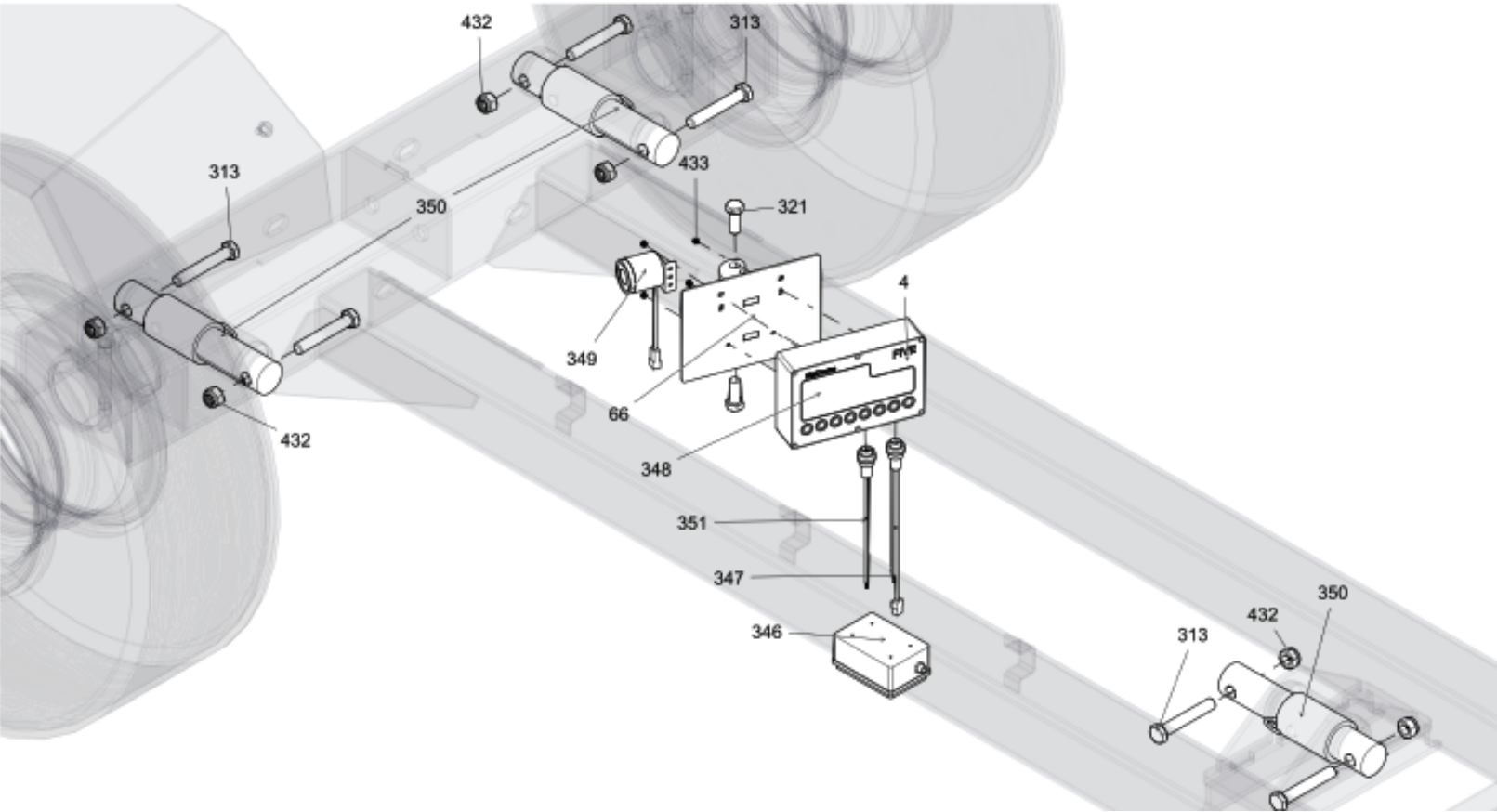


WHEEL-HUB GROUP

ID	STOCK CODE	DESCRIPTION	QTY
16	12.5-80-15.3X9.50-A-001	WHEEL ASSEMBLY	1
17	12.5-80-15.3X9.50-O-001	WHEEL ASSEMBLY	1
92	CL58753-002	REAR CHASSIS WELDING GROUP	1
314	CVT01-M18X160-01	BOLT	2
403	J9.50X15.3-6X160X205	WHEEL	2
408	L12.5X80X15.3-18K	TIRE	2
415	PRY01-104316-3.9T	HUB	2
432	SMN06-M18-01	NUT	2

HORIZONTAL FEED MIXER

SPARE PART CATALOG

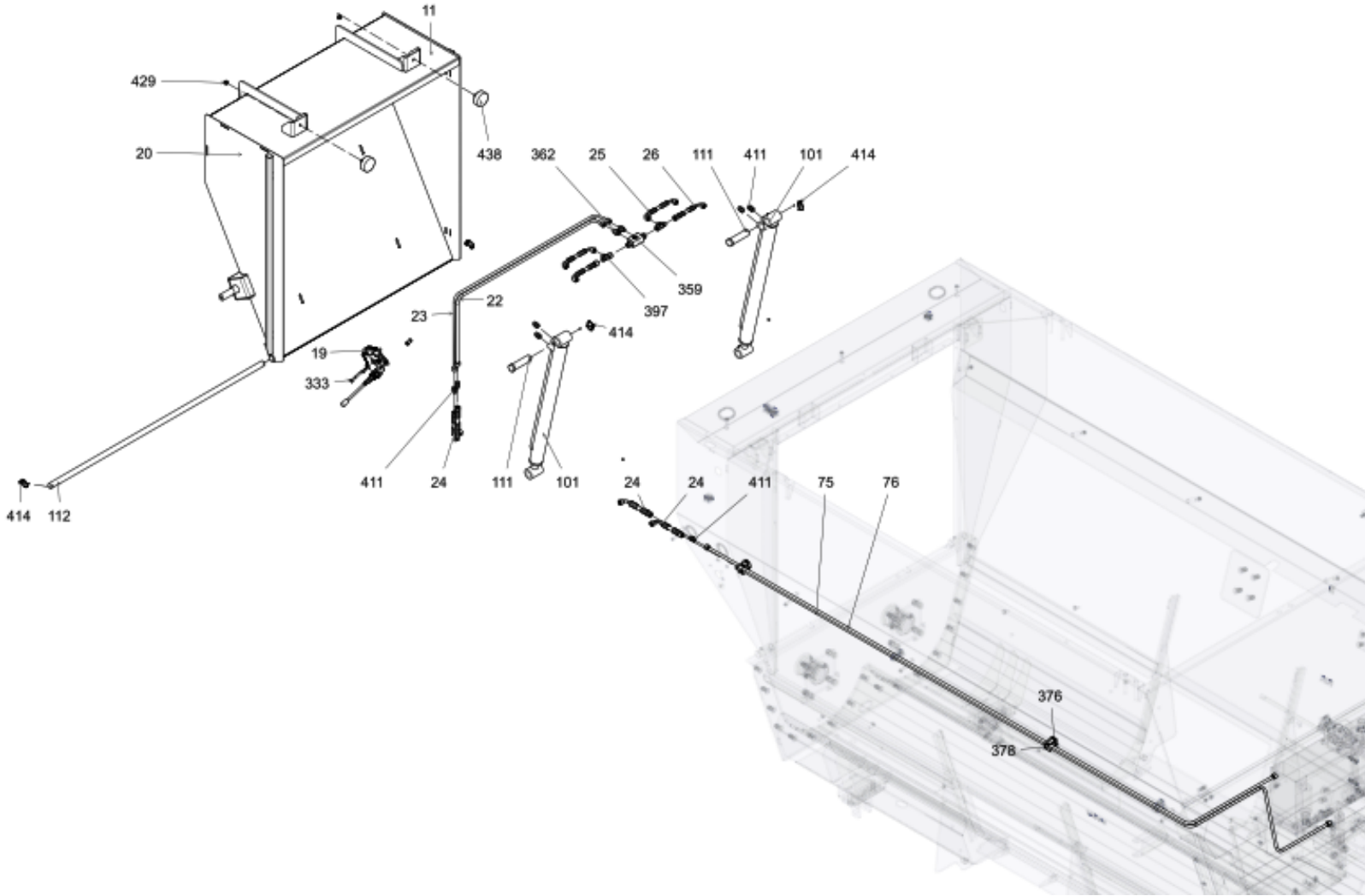


WEIGHT SYSTEM GROUP

ID	STOCK CODE	DESCRIPTION	QTY
4	TEE0102-002	FIVE-UF5 WEIGHING SYSTEM	1
66	CL57284-001	WEIGHING SYSTEM DISPLAY CONNECTION GROUP	1
313	CVT01-M18X110-01	BOLT	6
321	CVT02-M16X40-01	BOLT	2
346	DDBK-GW-44-205	WEIGHING SYSTEM CONNECTION BOX ACC-BJ01	1
347	DDGK-3WAY	WEIGHING SYSTEM AMP HENOL MS3105A-14S-7P-622-9 1750	1
348	DDIN-FIVE-UF5	WEIGHING SYSTEM FIVE UF5 DISPLAY	1
349	DDKR- ACC-PZS01	WEIGHING SYSTEM SMALL ALARM (SIREN)	1
350	DDLC-SENS-ALC054320A	WEIGHING SYSTEM LOADCELL-4700 KG-Ø54-LENGTH 305MM	3
351	DDLK-5WAY	WEIGHING SYSTEM AMP HENOL MS3105A-14S-5P-622-9 1810	1
432	SMN06-M18-01	NUT	6
433	SMN06-M5-01	NUT	4

HORIZONTAL FEED MIXER

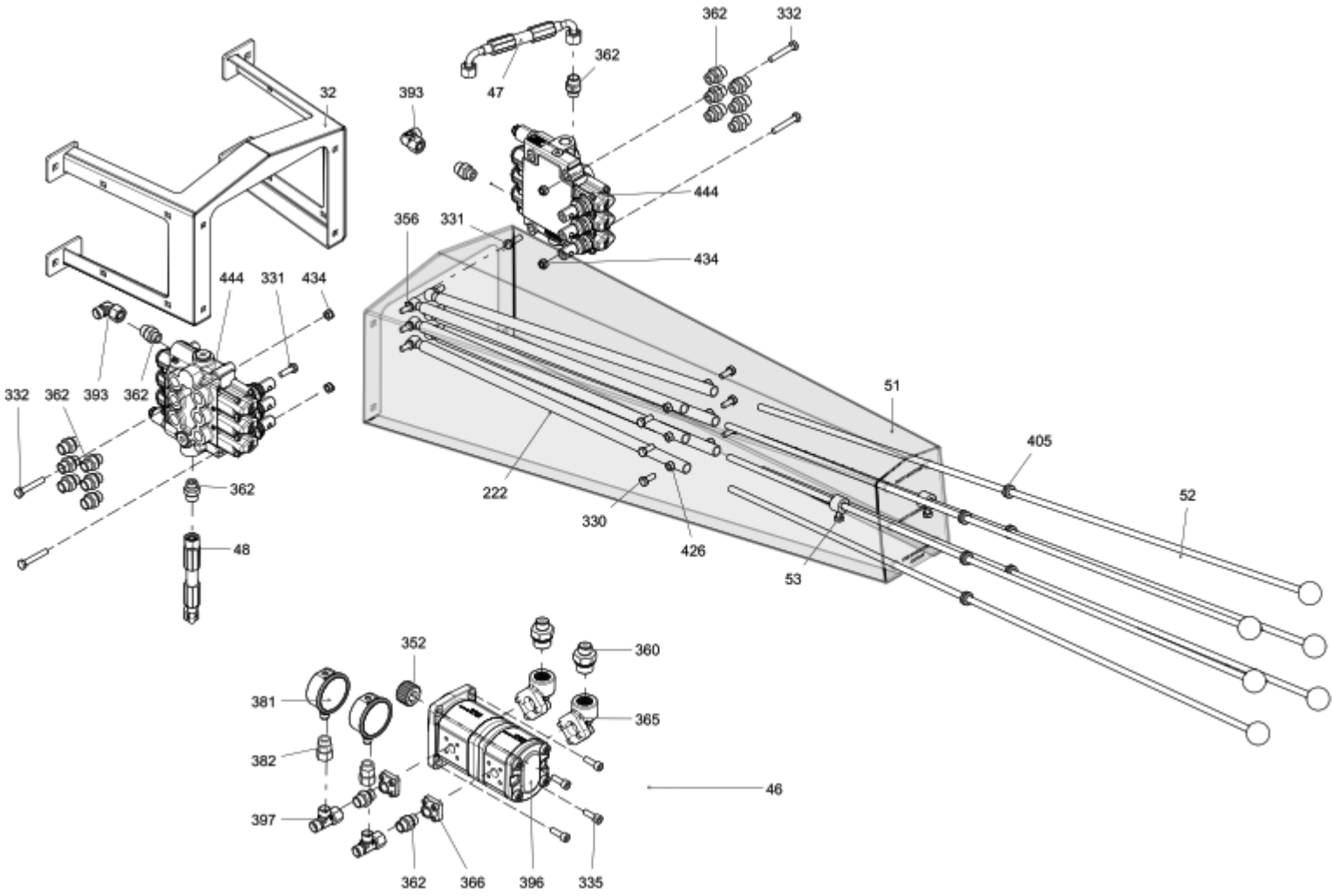
SPARE PART CATALOG



LOADING BUCKET GROUP

ID	STOCK CODE	DESCRIPTION	QTY
11	TEE0123-004	BUCKET OPTION	1
19	CL56933-001	BUCKET CONTROL VALVE	1
20	CL56934-003	8-10m3 YYK BUCKET GROUP	1
22	CL56950-001	8-10M3 YYK TWIN LOCK OUTPUT PIPE	1
23	CL56952-001	8-10M3 YYK TWIN LOCK RETURN PIPE	1
24	CL56956-001	SINGLE HYDRAULIC CONTROLLER HOSE-LENGTH	4
25	CL56957-001	BUCKET LIFT OUTPUT HOSE-LENGTH	2
26	CL56958-001	BUCKET LIFT RETURN HOSE-LENGTH	2
75	CL57339-001	REAR BUCKET OUTPUT PIPE	1
76	CL57341-001	REAR BUCKET RETURN PIPE	1
101	HS01-835x1485-BB	PIPE	2
111	CL56931-001	BUCKET CONNECTION PIN	2
112	CL56932-002	CUP HINGE AXLE	1
333	CVT02-M8X55-01	BOLT	2
359	HCV01-3.8-47-380-14-6	G3.8 DOBLE PILOT OPARATED CHECK VALVES WITH NUT TIRGERTECH CV 00 038 02	1
362	HDR01-M18XG3.8	HYDRAULIC FITTING M18X3.8 INCH	6
376	HHK01-OK-C12xM6x2	HOSE-PIPE CLAMP	24
378	HHK01-US-C12xM6x2	HOSE-PIPE TOP CONNECTION SHEET DIN	8
397	HYBT01-M18x1,5	SIDE LEG TEE M18	2
411	NPL01-M18x1.5	HYDRAULIC NIPPLE M18X1.5 INTERMEDIATE	8
414	PiM04-6-YAYLI	PIN SPRING CAP 6	4
429	SMN06-M10-01	NUT	2
438	TKZ01-25x70x10	RUBBER WEDGE	2

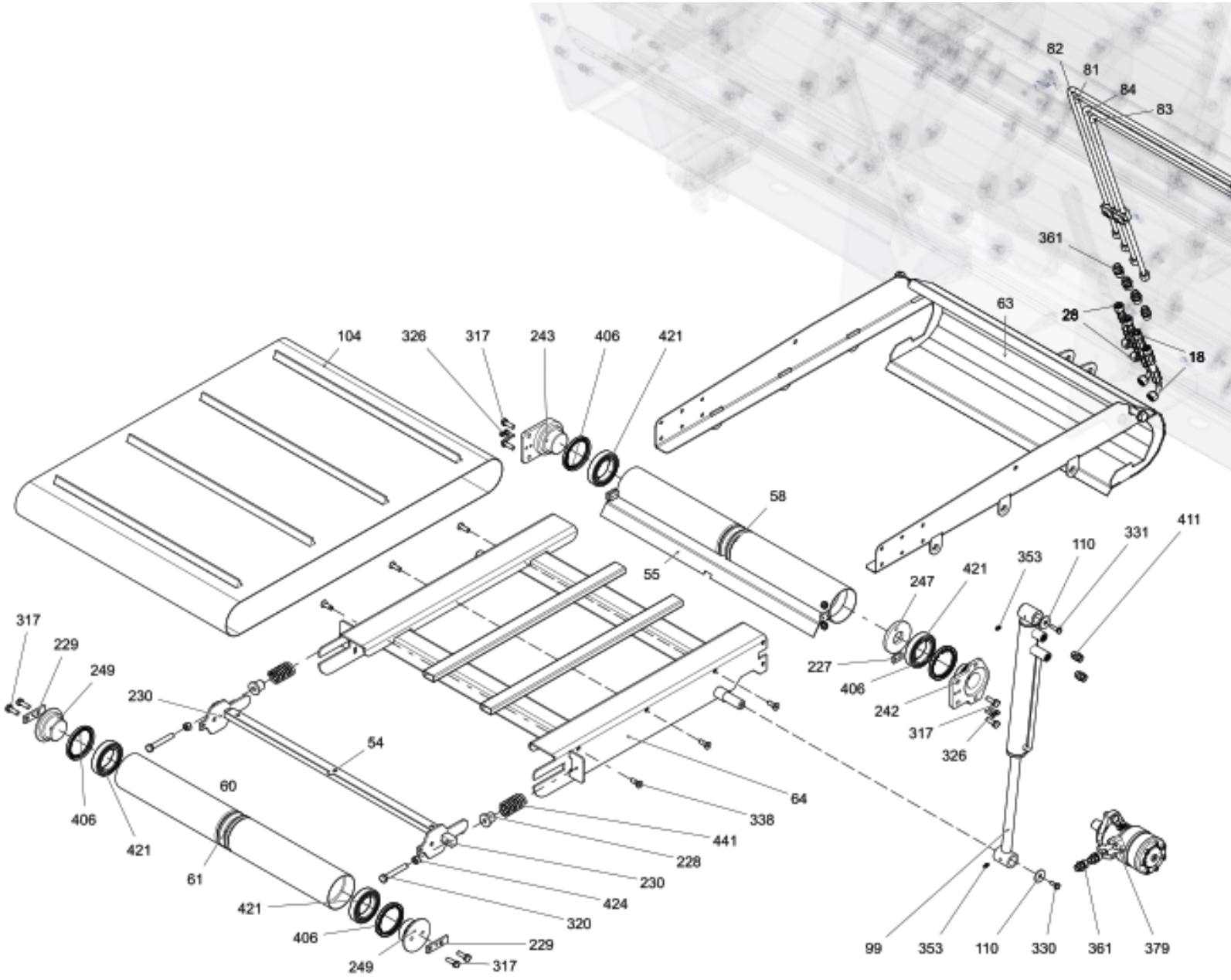
HORIZONTAL FEED MIXER SPARE PART CATALOG



HYDRAULIC CONTROLLER GROUP

ID	STOCK CODE	DESCRIPTION	QTY
32	CL57043-001	CONTROL PANEL CONNECTION GROUP	1
47	CL57162-001	PUMP PRESSURE HOSE-LENGTH	1
48	CL57163-001	PUMP PRESSURE HOSE-LENGTH	1
51	CL57170-002	MANUAL CONTROL PANEL	1
52	CL57173-001	DIRECTION CONTROL VALVE CONTROLLER GROUP	6
53	CL57175-002	DIRECTION CONTROL VALVE DETAND STOP NUT ASSEMBLY	2
222	CL57169-001	DIRECTION CONTROL VALVE CONTROL SHAFT EXTENSION PIPE	6
330	CVT02-M8X20-01	BOLT	6
331	CVT02-M8X25-01	BOLT	2
332	CVT02-M8X50-01	BOLT	4
335	CVT04-M8X25-01	BOLT	4
352	DSL01-1.75M-18Z	GEAR PUMP 18 DIS	1
356	GZP-BSLK01-B35-M8	GAS PISTON HEADLINE B35 M18	6
360	HDR01-G3.4XG1.2	HYDRAULIC CONNECTION	2
362	HDR01-M18XG3.8	HYDRAULIC CONNECTION	18
365	HEA-3-4x40-DA	ADAPTOR ELBOW 3.4 INCH 90 DEGREES	2
366	HEA-3-8 DÚZA	3.8 INCH FLAT WITH ADAPTOR CENTER	2
381	HMM01-C63-250BAR-G1-4	MANOMETER PRESSURE CAP 63 0/250 BAR-PSI BOTTOM CONNECTED 1.4 INCH	2
382	HMMTR01-M18XG1,4	MANOMETER RECORD	2
393	HTD01-M18-M18	REVERSE ELBOW WITH NUT	2
396	HTP01-IPN.192.CB11-IPN	FIPN.199.CB11-010-RIPN.119.CX11-029	1
397	HYBT01-M18x1,5	SIDE LEG TEE M18	2
405	KAP01-021	AXLE OF HYDRAULIC CONTROL	6
426	SMN01-M8-02	BLACK NUT	6
434	SMN06-M8-01	NUT	4
444	HYKV01-MV045004D	CONTROL VALVE WITH UC SLEEVE REVERSE 45LT	2

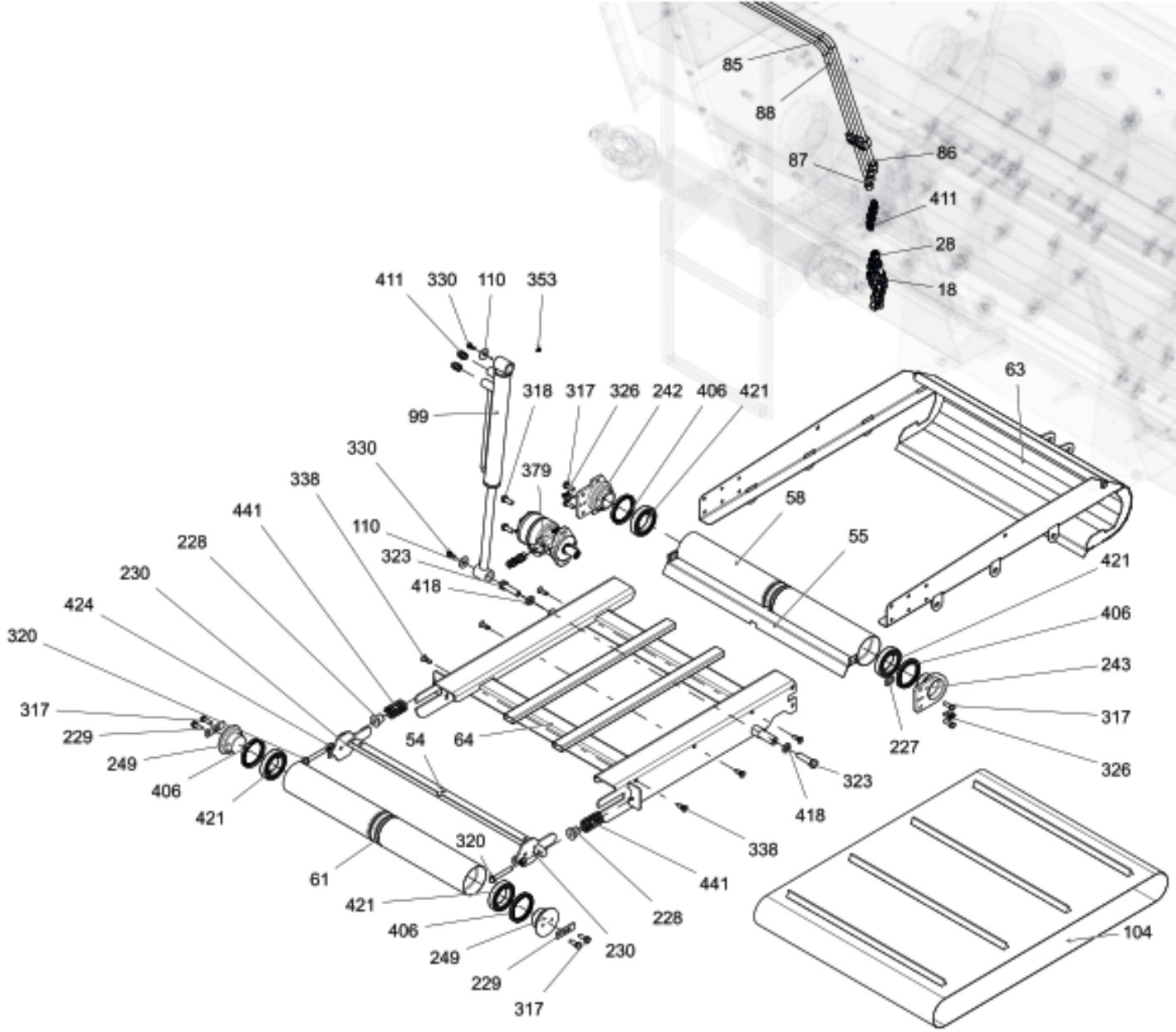
HORIZONTAL FEED MIXER SPARE PART CATALOG



RIGHT DISCHARGE CONVEYOR GROUP

ID	STOCK CODE	DESCRIPTION	QTY
18	CL56901-001	BELT HYDRO MOTOR OUTPUT RETURN HOSE-LENGTH	2
28	CL56981-001	BELT AND COVER LEVEL OUTPUT RETURN HOSE	2
54	CL57224-001	BELT TENSION AND PRE-ROLLER CLEANING GROUP	1
55	CL57227-001	REAR CYLINDER AND BELT CLEANING GROUP	1
58	CL57234-001	REAR CYLINDER ASSEMBLY	1
60	CL57241-002	FRONT CYLINDER ASSEMBLY GROUP	1
61	CL57243-001	FRONT CYLINDER WELDING GROUP	1
63	CL57247-001	1000MM CONVEYOR FEED GUIDING GROUP	1
64	CL57250-002	1000MM CONVEYOR'S CHASSIS GROUP	1
81	CL57353-001	BELT LEVEL OUTPUT PIPE	1
82	CL57355-001	BELT LEVEL RETURN PIPE	1
83	CL57357-001	BELT HYDRO MOTOR OUTPUT PIPE	1
84	CL57359-001	BELT HYDRO MOTOR RETURN PIPE	1
99	HS01-460X740-BB	HYDRAULIC LIFT OPEN SIZE PIPE	1
104	BNT01-E770-B1014-K17-T20	1000MM LIGHT CONVEYOR BELT	1
110	CL56930-001	HYDRAULIC CYLINDER FIXING WASHER	3
227	CL57205-001	REAR CYLINDER INTERMEDIATE SHEET	2
228	CL57206-001	SPRING PRESSURE PIN	2
229	CL57207-001	FRONT CYLINDER INTERMEDIATE SHEET	2
230	CL57208-001	SQUARE SHAFT CONNECTION SHEET	2
242	CL57231-002	CONVEYOR HYDRO MOTOR CONNECTION PART	1
243	CL57232-002	CONVEYOR REAR CYLINDER RIGHT FITTING PART	1
247	CL57239-001	HYDRO MOTOR CONNECTION BUSH WELDING SHEET	1
249	CL57242-001	FRONT CYLINDER BEARING CONNECTION PART	2
317	CVT02-M10X30-01	BOLT	8
320	CVT02-M12X80-01	BOLT	2
326	CVT02-M6X25-01	BOLT	4
330	CVT02-M8X20-01	BOLT	17
331	CVT02-M8X25-01	BOLT	14
338	CVT05-M10X30-01	BOLT	6
353	GRE01-1.4-DÜZ	FITTING	2
361	HDR01-M18XG1.2	HYDRAULIC FITTING	7
379	HHM01-HMR50	HMR 50 80 HYDRO MOTOR	1
406	KECE-NBR-KKT-75X95X8	KKT TYPE KECE	4
411	NPL01-M18x1.5	HYDRAULIC NIPPLE INTERMEDIATE	6
421	RLM01-6012-2RS1	TYPE TAPERED ROLLER BEARING	4
424	SMN01-M12-01	NUT	2
441	YAY01-0016	BRASSUS BELT TENSION SPRING	2

HORIZONTAL FEED MIXER SPARE PART CATALOG

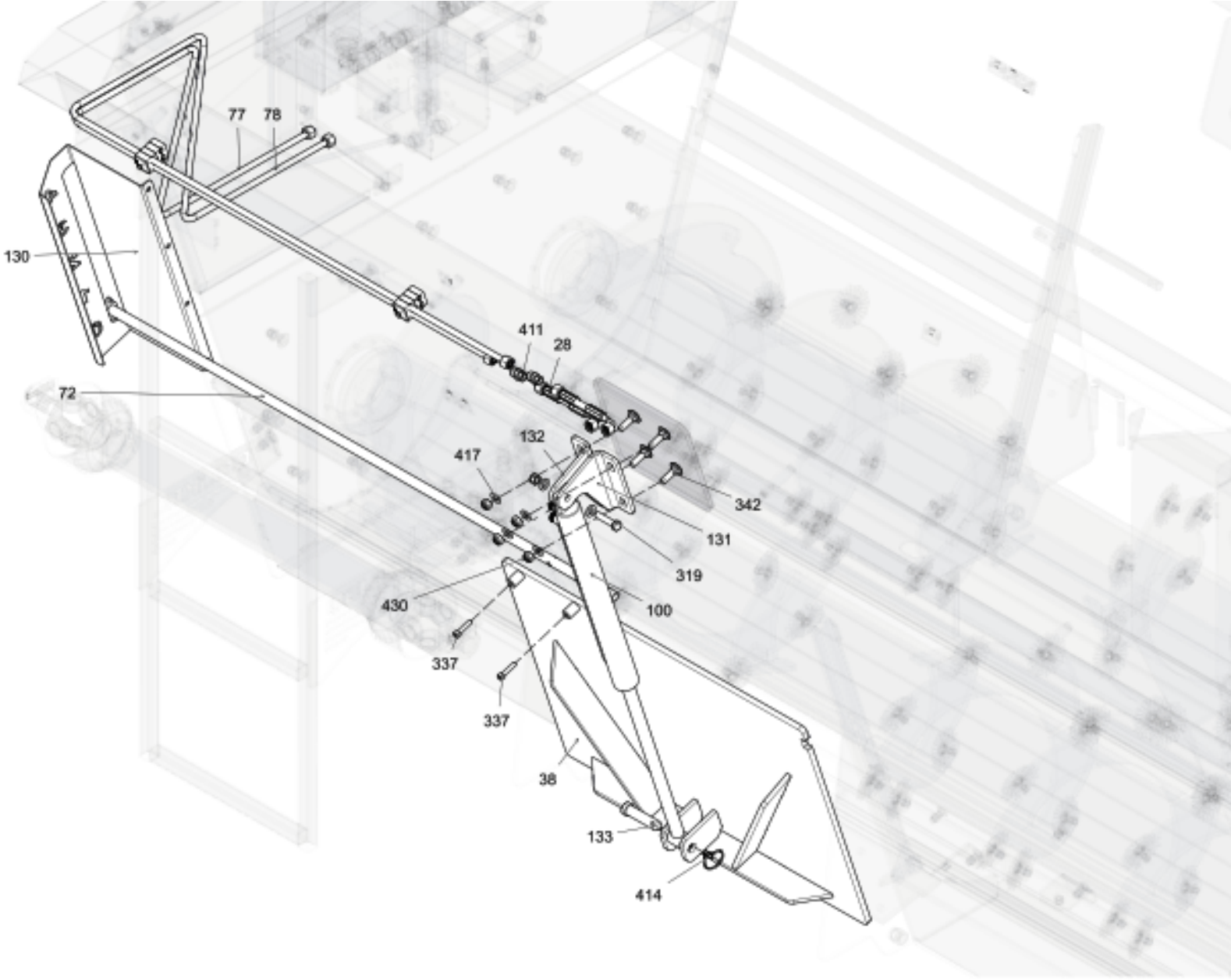


LEFT CONVEYOR GROUP

ID	STOCK CODE	DESCRIPTION	QTY
18	CL56901-001	BELT HYDRO ENGINE OUTPUT RETURN HOSE-LENGTH	2
28	CL56981-001	BELT AND COVER LEVEL	2
54	CL57224-001	BELT TENSION AND PRE-ROLLER CLEANING GROUP	1
55	CL57227-001	REAR CYLINDER AND BELT CLEANING GROUP	1
58	CL57234-001	REAR CYLINDER ASSEMBLY	1
61	CL57243-001	FRONT CYLINDER WELDING GROUP	1
63	CL57247-001	1000MM CONVEYOR FEED GUIDING GROUP	1
64	CL57250-002	1000MM CONVEYOR FRAME GROUP	1
85	CL57363-001	BELT LEVEL OUTPUT PIPE LEFT	1
86	CL57365-001	BELT LEVEL RETURN PIPE LEFT	1
87	CL57367-001	BELT HYDRO MOTOR OUTPUT PIPE LEFT	1
88	CL57369-001	BELT HYDRO ENGINE RETURN PIPE LEFT	1
99	HS01-460X740-BB	HYDRAULIC LIFT OPEN PIPE	1
104	BNT01-E770-BI014-K17-T20	1000MMM CONVEYOR BELT	1
110	CL56930-001	HYDRAULIC CYLINDER FIXING WASHER	3
227	CL57205-001	REAR CYLINDER INTERMEDIATE SHEET	2
228	CL57206-001	SPRING PRESSURE PIN	2
229	CL57207-001	FRONT CYLINDER INTERMEDIATE SHEET	2
230	CL57208-001	SQUARE SHAFT CONNECTION SHEET	2
242	CL57231-002	CONVEYOR HYDRO MOTOR CONNECTION PART	1
243	CL57232-002	CONVEYOR REAR CYLINDER RIGHT FITTING PART	1
249	CL57242-001	FRONT CYLINDER BEARING CONNECTION SHAFT	2
317	CVT02-M10X30-01	BOLT	8
318	CVT02-M12X30-01	BOLT	4
320	CVT02-M12X80-01	BOLT	2
323	CVT02-M16X60-01	BOLT	2
326	CVT02-M6X25-01	BOLT	4
330	CVT02-M8X20-01	BOLT	18
338	CVT05-M10X30-01	BOLT	6
353	GRE01-1.4-DÜZ	FITTING	2
379	HHM01-HMR50	HMR 50 80 HYDRO ENGINE	1
406	KECE-NBR-KKT-75X95X8	KKT TYPE KECE	4
411	NPL01-M18x1.5	HYDRAULIC HEX NIPPLE	10
418	PUL01-M16-01	WASHER	2
421	RLM01-6012-2RS1	TYPE TAPERED ROLLER BEARING	4
424	SMN01-M12-01	NUT	2
441	YAY01-0016	BRASSUS BELT TENSION SPRING	2

HORIZONTAL FEED MIXER

SPARE PART CATALOG

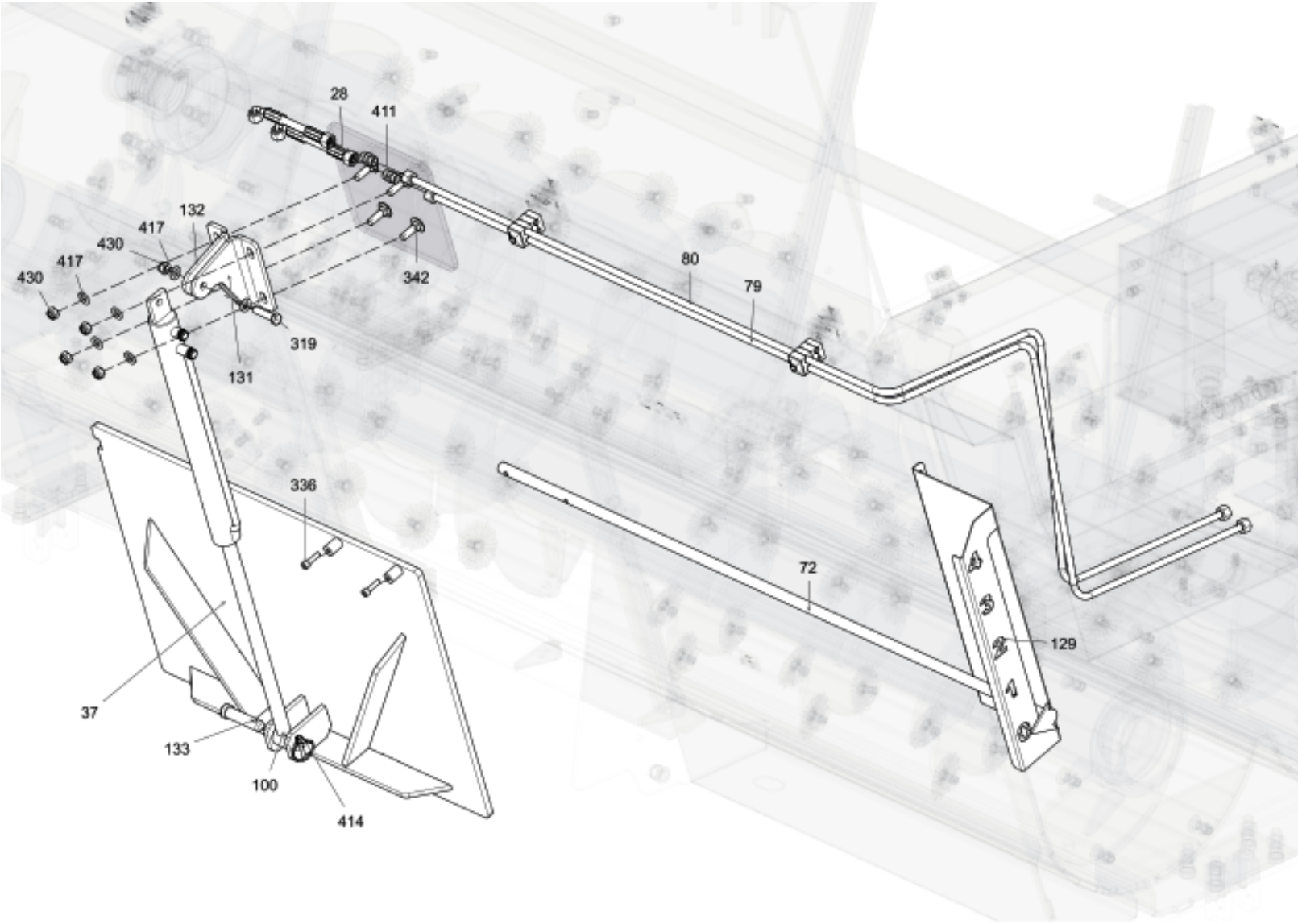


HYDRAULIC LEFT COVER GROUP

ID	STOCK CODE	DESCRIPTION	QTY
28	CL56981-001	BELT AND COVER LEVEL OUTPUT RETURN	2
38	CL57070-001	FEED DISCHARGE COVER-LEFT	1
72	CL57331-001	FEED DISCHARGE COVER INDICATOR GROUP	2
77	CL57344-001	DRAIN CAP OUTPUT PIPE LEFT	1
78	CL57346-001	DRAIN CAP RETURN PIPE LEFT	1
100	HS01-630x1030-BL	HYDRAULIC LIFT OPEN	1
130	CL56961-001	LEFT FEED DRAIN COVER LEVEL INDICATOR SHEET	1
131	CL56962-001	COVER CYLINDER TOP CONNECTION LEFT BRACKET	1
132	CL56963-001	COVER CYLINDER TOP CONNECTION RIGHT BRACKET	1
133	CL56964-002	FEED DISCHARGE COVER LIFT PIN	1
319	CVT02-M12X50-01	BOLT	1
337	CVT04-M8X35-01	BOLT	2
342	CVT07-M12X40-01	BOLT	41
411	NPL01-M18x1.5	HYDRAULIC HEX NIPPLE M18X1.5 INTERMEDIATE	6
414	PiM04-6-YAYLI	PIN SPRING CAP 6	4
417	PUL01-M12-01	WASHER	39
430	SMN06-M12-01	NUT	46

HORIZONTAL FEED MIXER

SPARE PART CATALOG

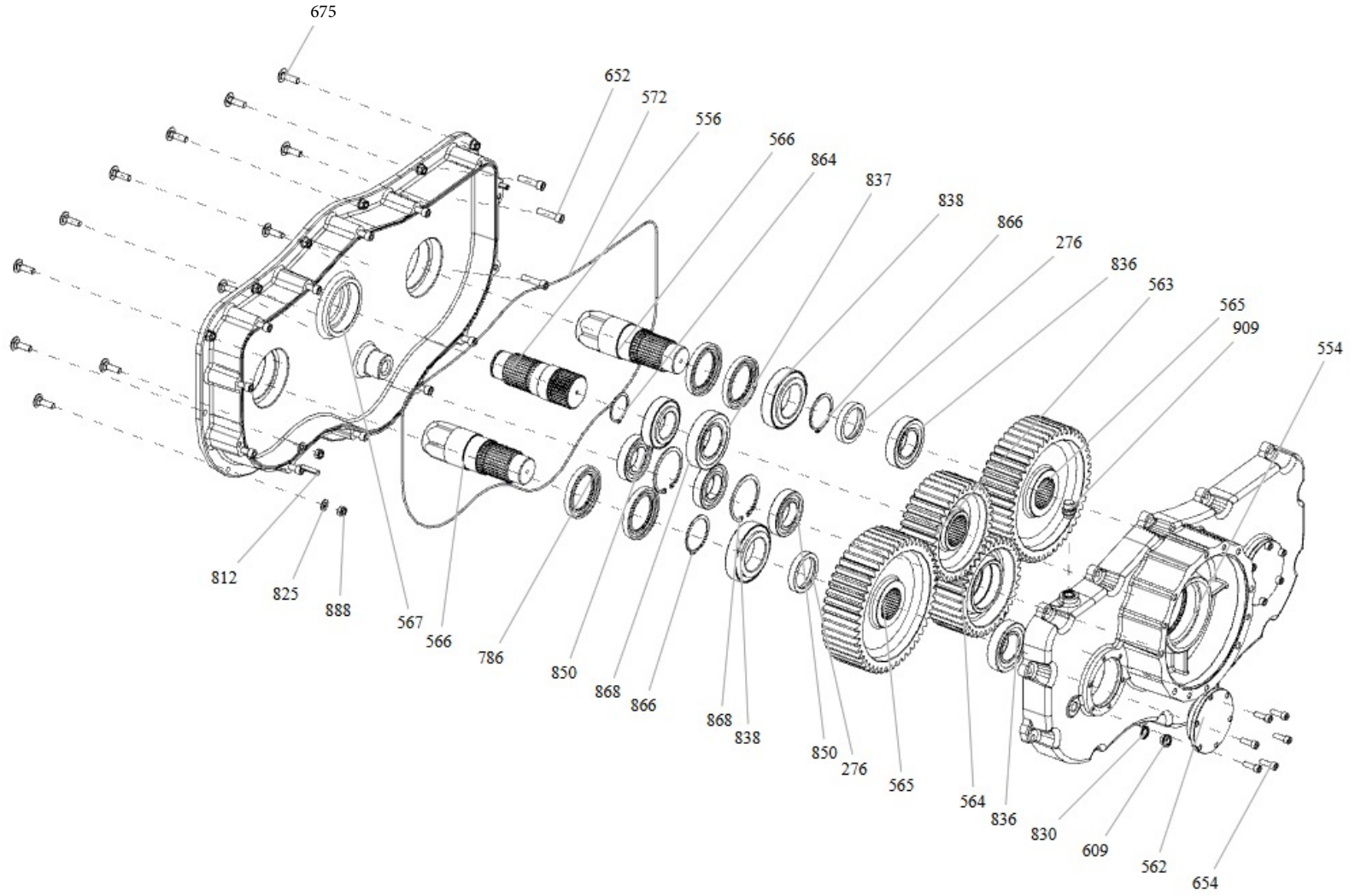


HYDRAULIC RIGHT COVER GROUP

ID	STOCK CODE	DESCRIPTION	QTY
28	CL56981-001	BELT AND COVER LEVEL OUTPUT RETURN	2
37	CL57064-001	FEED DISCHARGE COVER-RIGHT	1
72	CL57331-001	FEED DISCHARGE COVER INDICATOR GROUP	2
79	CL57348-001	DRAIN CAP OUTPUT PIPE	1
80	CL57350-001	DRAIN CAP RETURN PIPE	1
100	HS01-630x1030-BL	HYDRAULIC LIFT OPEN	1
129	CL56960-001	RIGHT FEED DRAIN COVER LEVEL INDICATOR SHEET	1
131	CL56962-001	COVER CYLINDER TOP CONNECTION LEFT BRACKET	1
132	CL56963-001	COVER CYLINDER TOP CONNECTION RIGHT BRACKET	1
133	CL56964-002	FEED DISCHARGE COVER LIFT PIN	1
319	CVT02-M12X50-01	BOLT	1
336	CVT04-M8X30-01	BOLT	2
342	CVT07-M12X40-01	BOLT	41
411	NPL01-M18x1.5	HYDRAULIC HEX NIPPLE	6
414	PiM04-6-YAYLI	PIN SPRING CAP 6	4
417	PUL01-M12-01	WASHER	39
430	SMN06-M12-01	NUT	46

HORIZONTAL FEED MIXER

SPARE PART CATALOG



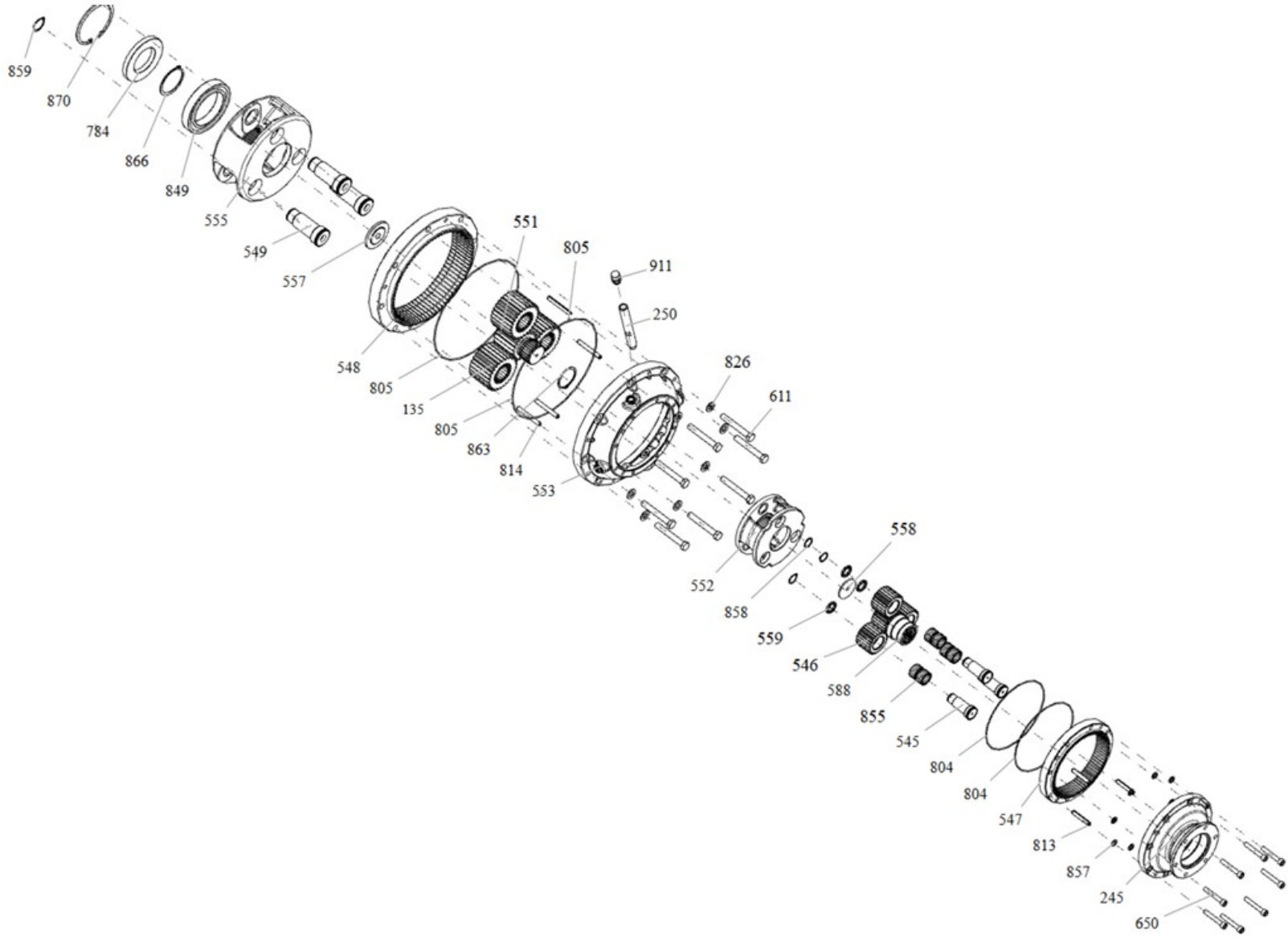
HORIZONTAL FEED MIXER SPARE PART CATALOG

BRASSUS TRANSMISSION (REAR GROUP)

ID	STOCK CODE	DESCRIPTION	Qty
276	CL46008	YYK BRASUS YASSI SANZIMAN HELEZON MILI ARA BURCU	2
554	CL63817	YYK-8-10-12M3 SANZIMAN KAPAGI	1
556	CL64002	YYS 8-10-12 M3 YD SANZIMAN MILI	1
562	CL64734	8-10-12-YYS YD RULMAN ON KAPAK	2
563	CL64736	YYS 8-10-12M3 Z-35 KALIN DISLI	1
564	CL64737	YYS 8-10-12M3 KALIN AVARE DISLI	1
565	CL64738	YYS -Z48 KALIN HELEZON DISLISI	2
566	CL64739	8-10-12V3 HELEZON MILI	2
567	CL64855	8-10-12 M3 V3 ALT SANZIMAN KUTUSU	1
572	CL68568	03.5 KESME ORIG BOY 2486	1
609	CMGZ01-G1.2	GOSTERGE CAMGOZ 1.2 INCH	1
652	CVT03-M12X50-02	ISO 4762 M12X50-36 IMBUS YARIM PASO 8.8 KALITE SIYAH CIVATA	13
654	CVT04-M10X30-02	ISO 4762 M10X30-30 IMBUS TAM PASO 8.8 KALITE SIYAH CIVATA	12
675	CVT07-M12X40-01	ISO 8677 M12X40 ZIPKA TAM PASO 8.8 KALITE GALVANIZLI CIVATA	12
786	KECE-NBR-KKT-80X115X13	KKT TIPI KECE 80X115X13	4
812	PIM03-10x45-01	ISO 8752-10X45 YARIKLI PIM	2
825	PUL01-M12-01	ISO 7089-M12 GALVANIZLI PUL	12
830	PUL05-1.2INCH-01	DIN 5601-1.2 INCH SUPER PUL	3
836	RLM01-32212	32212 TIPI 1. KALITE KONIK MAKARALI RULMAN	3
837	RLM01-32214	32214 TIPI 1. KALITE KONIK MAKARALI RULMAN	1
838	RLM01-32215	32215 TIPI 1. KALITE KONIK MAKARALI RULMAN	2
850	RLM01-6211	6211 TIPI 1. KALITE SABIT BILYALI RULMAN	3
864	SGM01-60X2-01	DIN 471-60X2 SEGMAN	1
866	SGM01-75X2.5-01	DIN 471-75X2.5 SEGMAN	2
868	SGM02-100X3-01	DIN 472-100X3 SEGMAN	2
888	SMN06-M12-01	DIN 985-M12 ALTIKOSE 8.8 KALITE FIBERLI GALVANIZLI SOMUN	12
909	TAPA02-G1.2-A	SARI ACIK NEFESLIK G1.2	1

HORIZONTAL FEED MIXER

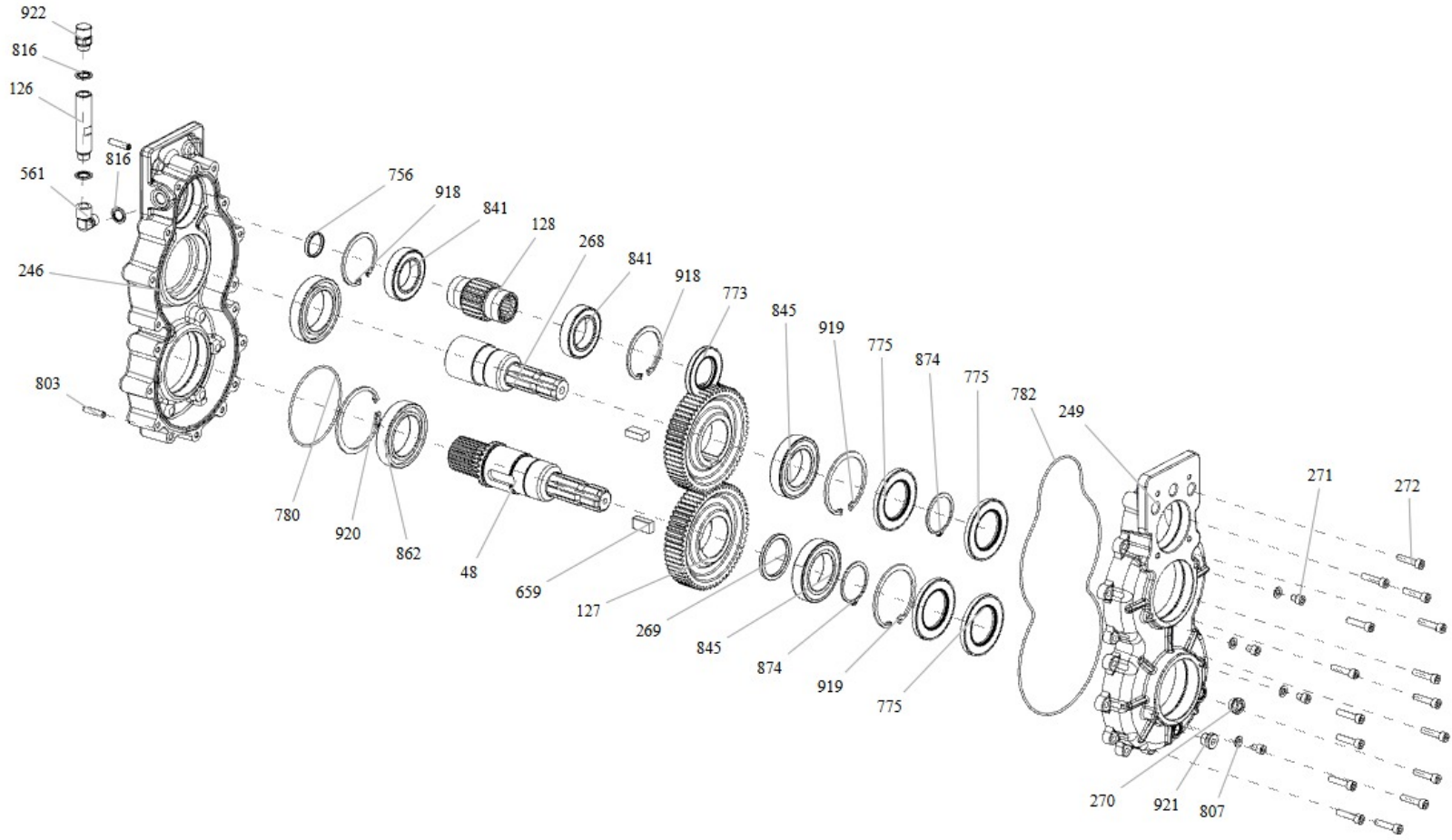
SPARE PART CATALOG



BRASSUS TRANSMISSION (MIDDLE GROUP)

ID	STOCK CODE	DESCRIPTION	Qty
135	CL64924	8-10-12 M3 V3 LOWER GEARBOX ASSEMBLY	3
245	CL10778	ML52 CONNECTION FLANGE	1
250	CL14886	YYK GEARBOX BREATHER INTERMEDIATE FITTING	1
545	CL63723	8-10-12 M3 SMALL SUN PIN	3
546	CL63734	8-10-12 HORIZONTAL FEED MIXER V3 Z25 GEAR	3
547	CL63755	8-10-12 M3 YYK GEARBOX Z-75 RING GEAR	1
548	CL63768	8-10-12 V3 YYK GEARBOX Z78 RING GEAR	1
549	CL63771	8-10-12 V3 YYK GEARBOX LARGE SUN SHAFT	3
551	CL63809	8-10-12M3 V3 YYK GEARBOX Z-21 IDLER/CENTER GEAR	1
552	CL63811	8-10-12 M3 V3 YYK GEARBOX SMALL SUN CARRIER	1
553	CL63814	8-10-12M3 V3 YYK GEARBOX HOUSING/BODY	1
555	CL63993	8-10-12 V3 YYM GEARBOX MAIN SUN CARRIER	1
557	CL64009	8-10-12 V3 YYM GEARBOX LARGE WEAR WASHER	1
558	CL64010	8-10-12M3 V3 SMALL SUN GEAR GROUP WEAR WASHER	1
559	CL64015	8-10-12 V3 YYK SUN GEAR WEAR WASHER	3
588	CL76113	8-10-12 Z-24 V3 GEARBOX BLACKBOX1 ADAPTER	1
611	CVT01-M14X100-02	ISO 4014 M14X100X34 HEXAGON HEAD BOLT PARTIAL THREAD 8.8 GRADE BLACK BOLT	8
650	CVT03-M10X65-02	ISO 4762 M10X65-32 HEXAGON SOCKET HEAD CAP SCREW PARTIAL THREAD 8.8 GRADE BLACK BOLT	8
784	KECE-NBR-KKT-75X130X13	KKT TYPE OIL SEAL 75X130X13	1
804	ORNG01-203X2.5-01	203X2.5-A-ISO 3601-1 O-RING	2
805	ORNG01-295X3-01	295X3-A-ISO 3601-1 O-RING	2
813	PIM03-10x60-01	ISO 8752-10X60 SLOTTED SPRING PIN	4
814	PIM03-10x80-01	ISO 8752-10X80 SLOTTED SPRING PIN	4
826	PUL01-M14-01	ISO 7089-M14 GALVANIZED WASHER	8
849	RLM01-6020	6020 TYPE 1st QUALITY DEEP GROOVE BALL BEARING	1
855	RLMN-5X20-MASURA	LOOSE NEEDLE ROLLER--Ø5X20 MM--RADIUS END	12
857	RNDL01-M10-01	DIN 128 M10 SPRING WASHER / LOCK WASHER	14
858	SGM01-24X1.2-01	DIN 471-24X1.2 CIRCLIP / RETAINING RING	3
859	SGM01-35X1.5-01	DIN 471-35X1.5 CIRCLIP / RETAINING RING	3
863	SGM01-58X2-01	DIN 471-58X2 CIRCLIP / RETAINING RING	1
866	SGM01-75X2.5-01	DIN 471-75X2.5 CIRCLIP / RETAINING RING	1
870	SGM02-125X4-01	DIN 472-125X4 CIRCLIP FOR BORES	1
911	TAPA02-G3.8-A	BRASS OPEN BREATHER PLUG G3.8	2

HORIZONTAL FEED MIXER SPARE PART CATALOG

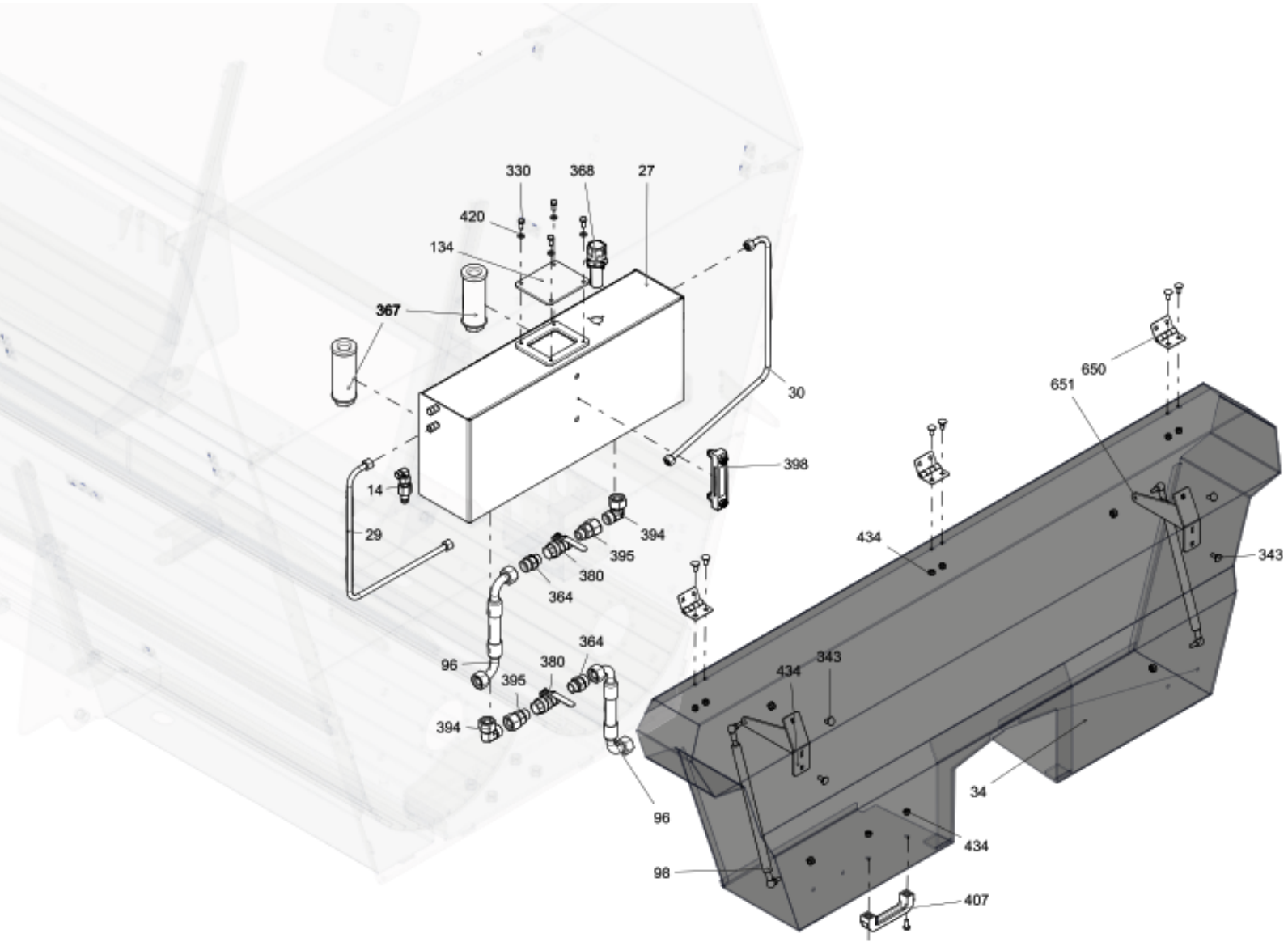


BRASSUS TRANSMISSION (FRONT GROUP)

ID	STOCK CODE	DESCRIPTION	Qty
48	CL10978	ML52 Z24 CENTER PTO SHAFT	1
126	CL14759	ML52 BREATHER INTERMEDIATE FITTING	1
127	CL45949	ML52 GEARBOX A:Z-60 GEAR	2
128	CL45955	ML52 PUMP GEAR A:Z-20 & B:Z-18	1
246	CL45957	ML-52-LOWER HOUSING	1
249	CL45960	PLANET ML 52 TOP COVER	1
268	CL45961	ML52 GEARBOX DISCHARGE SHAFT A-1.3/8" DIN 9611	1
269	CL64074	8-10-12-INTERMEDIATE BUSHING	1
270	CMGZ01-G3.8	INDICATOR SIGHT GLASS 3.8 INCH	1
271	CVT04-M8X10-02	ISO 4762 M8X10-10 HEXAGON SOCKET HEAD CAP SCREW FULL THREAD 8.8 GRADE BLACK BOLT	4
272	CVT04-M8X35-02	ISO 4762 M8X35-35 HEXAGON SOCKET HEAD CAP SCREW FULL THREAD 8.8 GRADE BLACK BOLT	8
561	HTD01-G3.8-G3.8	ELBOW WITH TAIL--MALE-3/8-19 BSP--FEMALE-3/8-19 BSP	1
659	KAMA02-16X10X30-01	ISO 2491 16X10-30-B TYPE PARALLEL KEY	2
756	KECE-KOR-37X7	BLIND OIL SEAL 37X7	1
773	KECE-NBR-KKT-45X75X8	KKT TYPE OIL SEAL 45X75X8	1
775	KECE-NBR-KKT-55X90X7	KKT TYPE OIL SEAL 55X90X7	4
780	ORNG01-113.00X3.00-01	113.00X3.00 O-RING NBR 70 BLACK	1
782	ORNG01-313X3-01	313X3 O-RING NBR 70 BLACK	1
803	PIM03-8x35-01	ISO 8752-8X35 SLOTTED SPRING PIN	2
807	PUL01-M8-01	ISO 7089-M8 GALVANIZED WASHER	4
816	PUL05-3.8INCH-01	DIN 5601-3.8 INCH SUPER WASHER	3
841	RLM01-6009-2RS1	6009 2RS TYPE 1st QUALITY DEEP GROOVE BALL BEARING	2
845	RLM01-6011-2RS1	6011 2RS1 TYPE 1st QUALITY DEEP GROOVE BALL BEARING	2
862	RLM01-6012	6012 TYPE 1st QUALITY DEEP GROOVE BALL BEARING	2
874	SGM01-55X2-01	DIN 471-55X2 CIRCLIP / RETAINING RING	2
918	SGM02-75X2.5-01	DIN 472-75X2.5 CIRCLIP FOR BORES	2
919	SGM02-90X3-01	DIN 472-90X3 CIRCLIP FOR BORES	2
920	SGM02-95X3-01	DIN 472-95X3 CIRCLIP FOR BORES	1
921	TAPA01-G3.8	DIN 908 ALLEN HEAD BLIND PLUG 3.8 INCH	1
922	TAPA02-G3.8-A	BRASS OPEN BREATHER PLUG G3.8	1

HORIZONTAL FEED MIXER

SPARE PART CATALOG



HYDRAULIC OIL TANK GROUP

ID	STOCK CODE	DESCRIPTION	QTY
14	TEE0144-001	YKV BUCKET CONNECTION GROUP	1
15	TEE0149-003	OIL TANK OPTION FOR RIGHT-LEFT TANDEM PUMP MACHINES	1
27	CL56967-001	OIL TANK	1
29	CL56983-002	RIGHT SIDE CONTROL VALVE DRAIN PIPE	1
30	CL56991-001	LEFT SIDE CONTROL VALVE DRAIN PIPE	1
34	CL57049-001	FRONT COVER SOURCE GROUP	1
96	CL66001-001	PUMP SUCTION	2
98	GZP01-400N-AB685-KB400	GAS PISTON OPEN	2
134	CL56966-001	OIL TANK COVER SHEET	1
330	CVT02-M8X20-01	BOLT	6
343	CVT07-M8X20-01	BOLT	10
364	HDR01-M30XG3.4	HYDRAULIC FITTING	2
367	HEF01-G1-45LTD	FILTER IC OIL 1 INCH	2
368	HEF01-STND-SUZGC	OIL TANK FILLING CAP WITH FILTER SHEET	1
380	HKV01-G3.4-DN20-PN25	VALVE BALL	2
394	HTD01-M30-M30	REVERSE ELBOW M30XM30	2
395	HTN01-M30XG3.4	FITTING NIPEL	2
398	HYG01-M12X127	HYDRAULIC OIL INDICATOR	1
407	KULP01-M8-130	BAKALIT HANDLE	1
420	PUL01-M8-01	WASHER	4
434	SMN06-M8-01	NUT	12
650	MNTS01-M-60X75-01	MENTESE	3
651	CL57054-001	FRONT COVER GAS PISTON CONNECTION GROUP	2